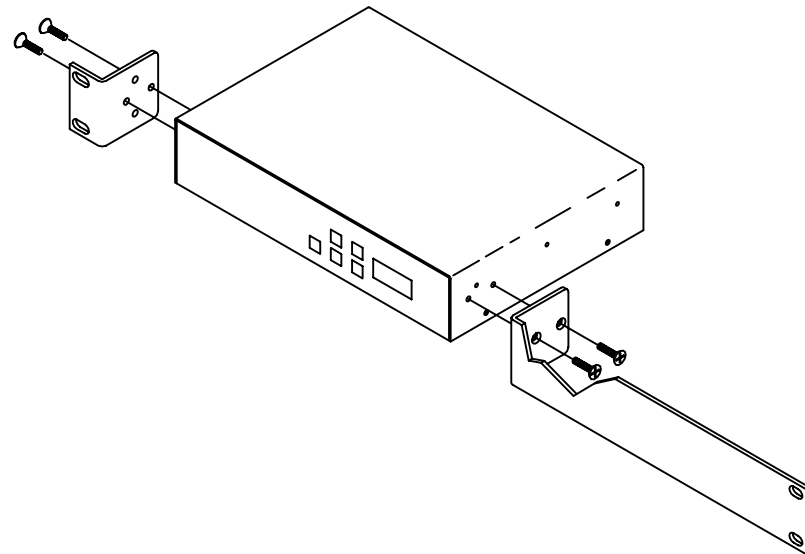
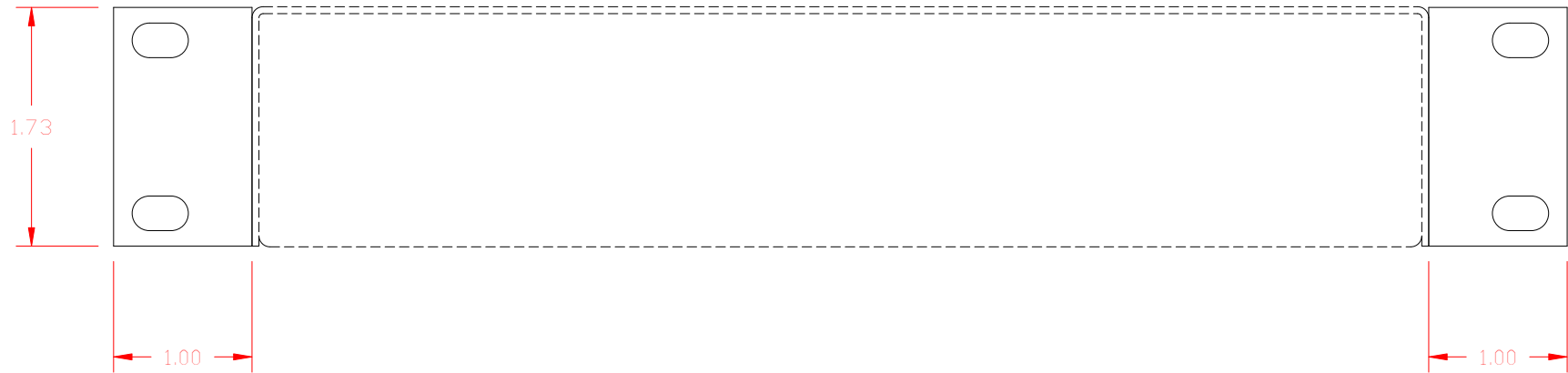


UNLESS OTHERWISE SPECIFIED:
 DECIMAL DIMENSIONS INCLUDING HOLES XX ± 0.10
 XXX ± 0.005
 FRACTIONAL DIMENSIONS INCLUDING HOLES ± 1/64
 ANGLES ± 1°
 SURFACE FLATNESS .003 TIR PER LINEAR INCH.
 ALL DIMENSIONS IN INCHES.
 DO NOT SCALE THIS DRAWING.

SYM	ECO NO.	DESCRIPTION	DATE	APPR.
**** REVISIONS ****				
DRAWN	DATE	<i>Contemporary Research</i> TITLE PRODUCT DRAWING OPTIONS FOR RK1 RACKMOUNT BRACKETS		
MEO	07/23/02			
CHECKED	DATE	SCALE	DWG. NO.	
		NONE	950-5008-060	
APPROVED	DATE	SHT	1 OF 2	
RELEASED	DATE	FILE	950-5008-060_PD.DWG	
DIR				



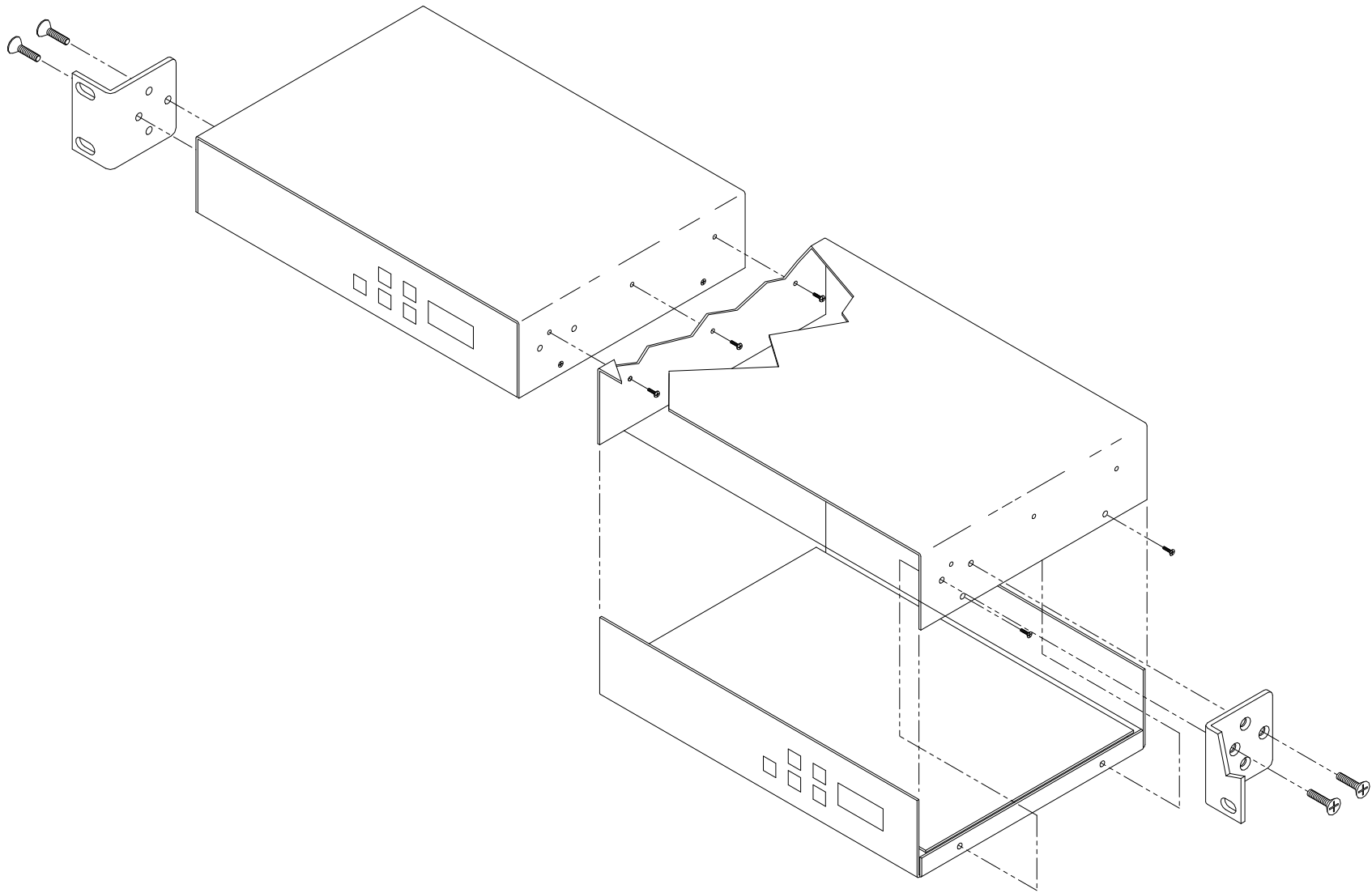
TITLE	SCALE	DWG. NO.
PRODUCT DRAWING OPTIONS FOR RK1 RACKMOUNT BRACKETS	NONE	950-5008-060
A	SHT 2 OF 2	
FILE 950-5008-060_PD.DWG		



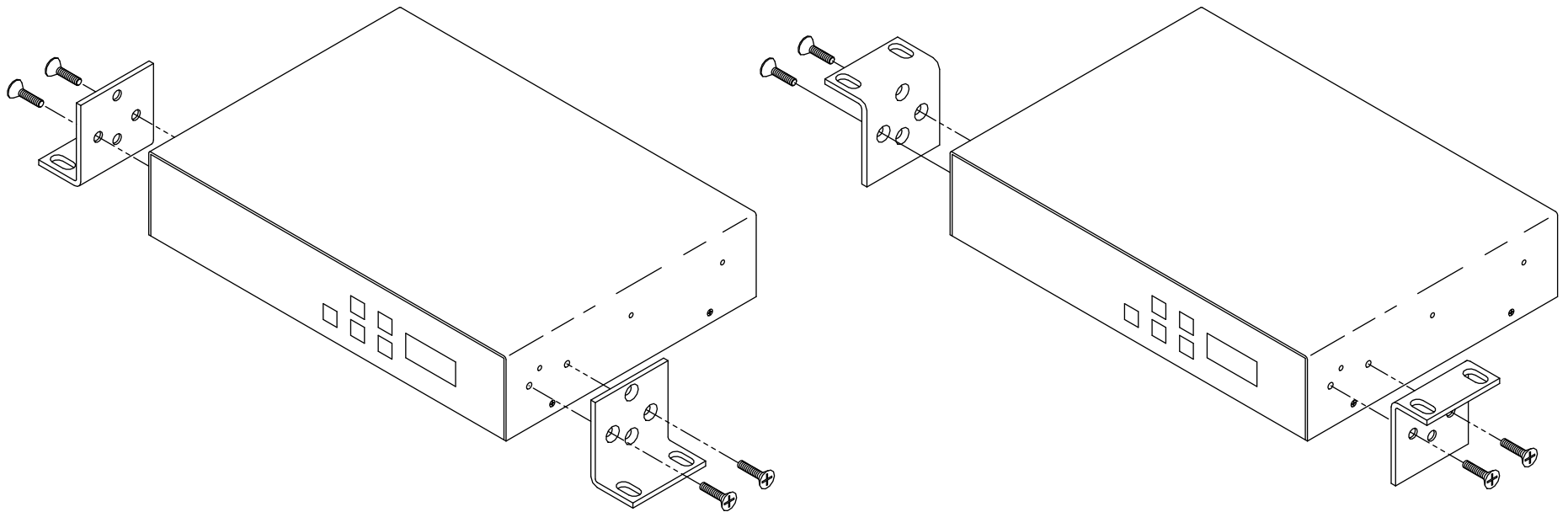
UNLESS OTHERWISE SPECIFIED:

DECIMAL DIMENSIONS INCLUDING HOLES XX ±.010
 XXX ±.005
 FRACTIONAL DIMENSIONS INCLUDING HOLES ±1/64
 ANGLES ±1°
 SURFACE FLATNESS .003 TIR PER LINEAR INCH.
 ALL DIMENSIONS IN INCHES.
 DO NOT SCALE THIS DRAWING.

SYM	ECO NO.	DESCRIPTION	DATE	APPR.
**** REVISIONS ****				
DRAWN MEO	DATE 07/24/02	Contemporary Research		
CHECKED	DATE			
APPROVED	DATE	TITLE PRODUCT DRAWING OPTIONS FOR RK2 RACKMOUNT BRACKETS		
RELEASED	DATE	SCALE NONE	DWG. NO. 950-5008-050	
DIR	FILE 950-5008-050_PD.DWG	SHT 1 OF 3		



TITLE		
PRODUCT DRAWING OPTIONS FOR RK2 RACKMOUNT BRACKETS		
A	SCALE NONE	DWG. NO.
	SHT 3 OF 3	950-5008-050
FILE 950-5008-050_PD.DWG		



TITLE		
PRODUCT DRAWING OPTIONS FOR RK2 RACKMOUNT BRACKETS		
A	SCALE NONE	DWG. NO.
	SHT 2 OF 3	950-5008-050
FILE 950-5008-050_PD.DWG		