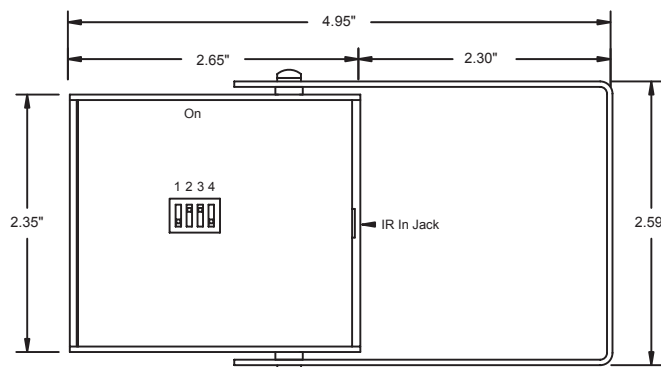
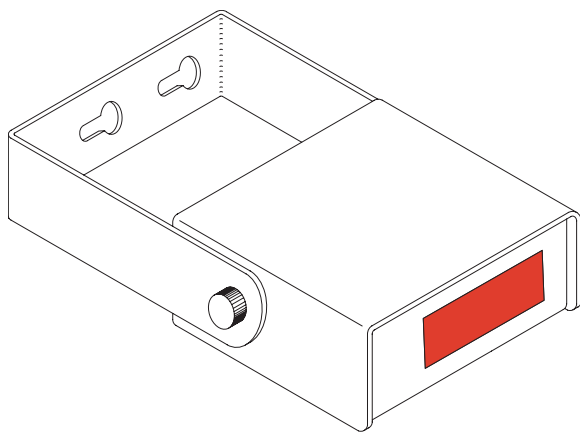


IR-RXC Installer Reference Guide



IR-RXC - Bottom View

Introduction

The IR-RXC External IR Receiver extends IR reception for many iC-series controllers. Using the included swivel mount, the unit can mounting in any position and aimed for best reception. Powered by the external IR IN input on an iC-series controller, the IR-RXC is switchable for sensing Contemporary Research high-frequency 57 KHz (default) and low-frequency 38 KHz IR, the IR-RXC can be mounted in any position.

Compatible iC controllers and tuners are: ICC2-VDC, ICC2-IRC (with factory-installed input),
232-ST5 (older units need factory-installed input),
232-MCT, 232-ATSC, 232-ATSC+

Specifications

Enclosure: All aluminum with durable black powder coat paint
Size: Receiver: 1.13" [29mm] high x 2.35" [60mm] wide x 2.65" [67mm] deep
Bracket: 1.00" [25mm] high x 2.59" [66mm] wide x 2.95" [75mm] deep
Combined: 1.13" [29mm] high x 2.60" [66mm] wide x 4.95" [67mm] deep (typical)
Weight: 3 oz [85g]
IR Reception: Includes high-frequency (57 KHz) or low-frequency (38 KHz) sensors, selected by DIP switch
DIP Switch: 4-position switch selects IR operating modes
Status LED: Red LED indicates IR code reception
IR Out: 3.5mm jack to connect IR signal and power to an iC controller or tuner
Power: 10.5-16 VDC (12 typical), 10 mA typical, 25 mA max, powered by iC controller or tuner

Includes

IR connection cable, 6', 3.5mm male plugs at each end
Swivel-mount bracket

Installation

If needed, change DIP switch settings to match requirements. Only one switch in each pair (1&2, 3&4) should be on.

- 1 On = enable 38KHz
- 2 On = enable 57KHz (default)
- 3 On = output normal (default)
- 4 On = output inverted

Use included IR connection cable to connect IR-RXC to iC unit's IR In input. If you need to create a custom-length extension cable, wire connectors as follows:

3.5mm stereo plugs

Tip= IR data signal
Sleeve= DC power+ from IR In jack on iC unit
Ring= Ground (GND)