

Product Manual

ICC1/ICC2/ICW

Smart TV Controller, Rear Mount
Ver. 5.5 January 20, 2003



17630 Davenport Rd, Suite113
Dallas, TX 75252 USA

Tel: 972.931.2728
888.972.2728

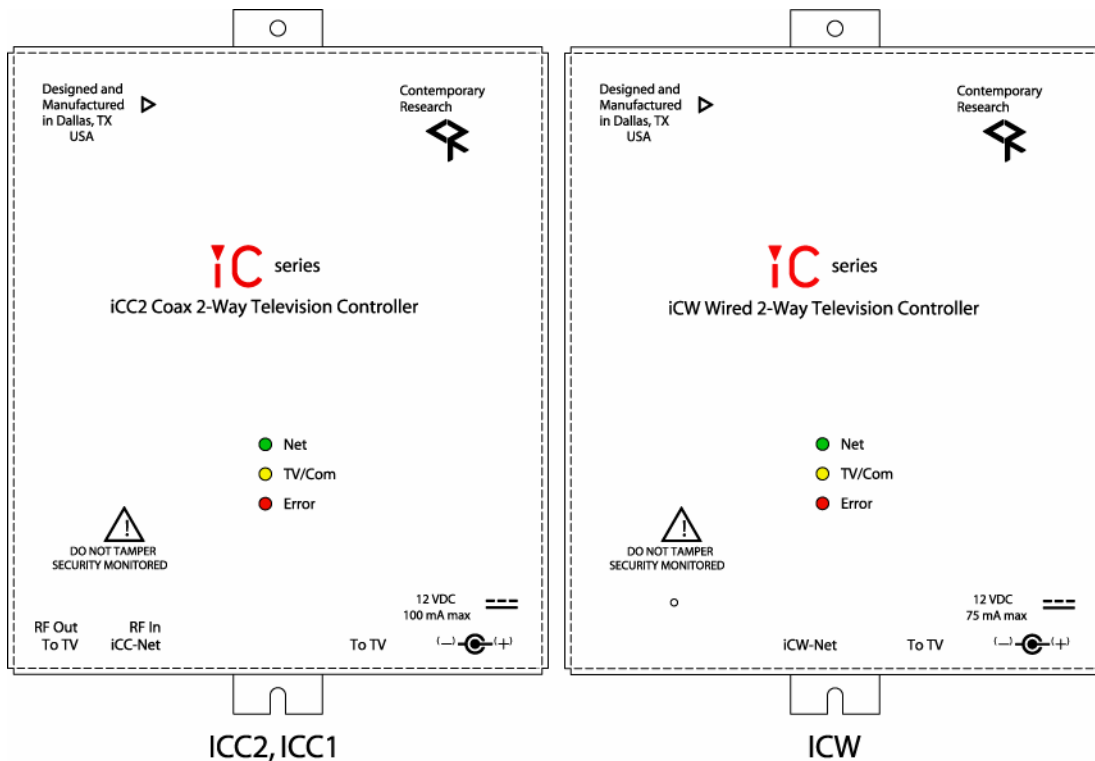
Fax: 972.931-2765

Web: www.crvwww.com
www.contemporaryresearch.com

Table of Contents

Overview	3
Specifications	4
Models	4
Physical	4
Front Panel	4
Connections – ICC2, ICC1	4
Connections – ICW	4
Internal Closures.....	5
Includes	5
Installation	6
AC Power and Smart TV control.....	6
RF Coax and iCC-Net Operation (ICC2, ICC1).....	6
iCW-Net Connection (ICW).....	6
Using the IC-RC Remote for On-Screen Menus.....	6
On-Screen Setup Menus.....	7
RS-232 Control Protocol	8
Overview	8
Command String Structure	8
RS-232 Commands	9
RS-232 Responses	12
Response String Structure.....	12
iC-Net Zones	14
System Map	15
Typical RF and ICC-Net Signal Flow	16
iCW-Net Wiring	17
Mounting	18
Safety Instructions	19
Limited Warranty and Disclaimer	20

Overview

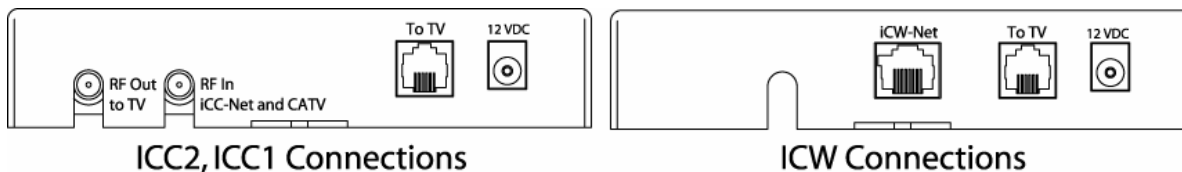


Contemporary Research offers two solutions for intelligent television control and interactive distributed media management, the ICC and ICW Smart TV Controllers. The ICC2 TV Controller communicates bi-directionally over the same RF coax that carries the CATV channels, while the ICC1 TV Controller receives commands over RF. The ICW TV Controllers connects over a twisted-pair network using Category 5 or Category 3 wiring and connectors.

Both ICC and ICW TV Controllers take advantage of Smart TV technology by Philips, RCA, and Zenith. Using the Smart TV data port, the TV Controllers use the TV's internal IR sensor, character generator, and tuner to deliver cost-effective network TV and media management.

- Controls Philips, RCA, and Zenith Smart TVs for cost-effective operation
 - Creates on-screen channel labels, messages, interactive text menus, and system feedback using TV's onboard character generator
 - Receives wireless commands from IC-RC IR remote using TV's IR sensor
 - Delivers absolute volume control for level and mute
 - Manages channel access using list of available channels (tuning ring) in controller memory
 - Delivers absolute power control with on/off feedback from TV
 - Low-loss internal RF tap saves amplification and installation costs
- Interacts with the Smart TV's internal IR sensors, character generator, and tuner
- Networks with up to 4,000 TVs through the ICC-HE or ICW-HE Head-End Network Controller (HE)
 - ICC1 units receive commands over the same RF cable as CATV channels
 - ICC2 units provide 2-way command and control with feedback over RF
 - ICW units network over Category 5 or 3 wiring
- Responds to individual and zone commands from a single RS-232 port on the HE
- Provides LED feedback for network, control, and operation status
- Restores all operation status after loss of power from data stored in non-volatile memory
- Mounts on the back of the Smart TV for simplified installation and ease of control

Specifications



Models

ICC1-P	Philips TV, 1-Way RF	ICC1-R	RCA TV, 1-Way RF	ICC1-Z	Zenith TV, 1-Way RF
ICC2-P	Philips TV, 2-Way RF	ICC2-R	RCA TV, 2-Way RF	ICC2-Z	Zenith TV, 2-Way RF
ICW-P	Philips TV, iCW-Net	ICW-R	RCA TV, iCW-Net	ICW-Z	Zenith TV, iCW-Net

Philips: SmartPlug compatible, PL, PA series (most) and PC series
Some PC series require Card01A, MonCard, SterCard, or ProKit1 Card for SmartPlug
Will not operate with Philips ScanCard TVs

RCA: SmartPlug DSCI compatible, J series Lodging televisions PL series
8-pin models provide 12 VDC power to ICC/ICW units

Zenith: MPI compatible, Concierge series, Presentation series, and Health View models

Physical

Size: 5.47" [139mm] wide x 6.35" [161mm] height x 1.13" [29mm] deep
Weight: 12 oz [341g]
Enclosure: All aluminum with durable black powder coat paint
Mounting: Mounts out of sight on rear of TV

Front Panel

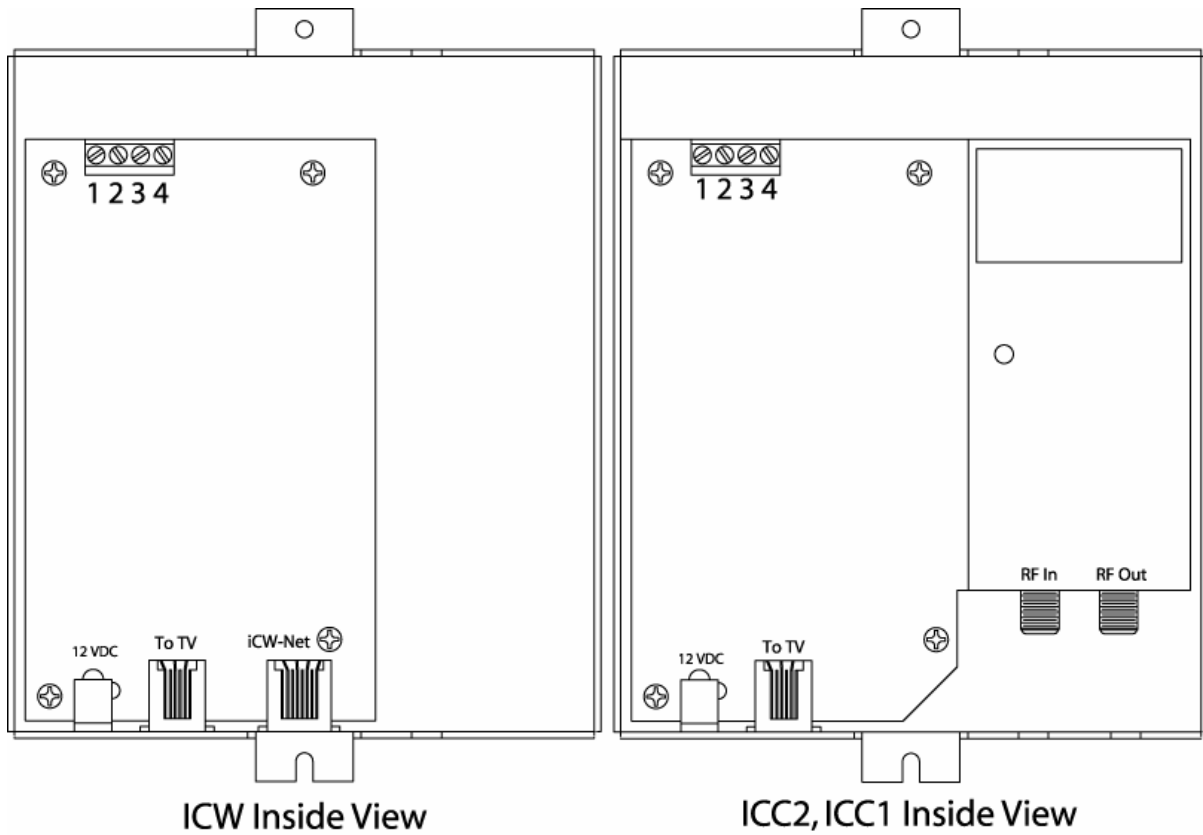
Net LED: Green LED for iC-Net bus, flashes once per second if receiving communication
TV/COM LED: Yellow LED, flashes when IR data received, stays off when Smart link is not present
Error LED: Red LED indicates a problem within the unit

Connections – ICC2, ICC1

RF Out: F', female, 75 ohm impedance, RF to TV. less than -1.5 dbmV loss
RF In/iCC-Net: 'F', female, 75 ohm impedance, RF from CATV system
iCC-Net: Carried over the same RF coax connection as TV channels
Receive: (ICC2, ICC1) Mid-band VHF, 74.7MHz, sent from ICC-HE Head-End Network Controller
-25 to +35 dBmV signal level
Transmit: (ICC2 only) Sub-band, 5.6MHz sent to Head-End Network Controller
±80 KHz max carrier deviation
+49dBmV nominal
To TV: RJ-11 female 6-pin Telco jack, accepts included Smart TV data cable
Power In: 2.1mm coaxial jack (inside center conductor positive), 100 mA maximum
9 to 16.5 VDC, 12 VDC typical (may be unregulated)
UL/CSA listed wall power supply included if needed for domestic shipments

Connections – ICW

iCW-Net: RJ-45 female 8 pin Telco jack
RS-485 type data requiring at least 2 twisted wire pairs with shield or fifth conductor
Recommended Wire: CAT3/CAT5 compatible unshielded, max 3300 feet [914m] from iC Head End
To TV: RJ-11 female 6-pin Telco jack, accepts included Smart TV data cable
Power In: 2.1mm coaxial jack (inside center conductor positive), 100 mA maximum
9 to 16.5 VDC, 12 VDC typical (may be unregulated)
UL/CSA listed wall power supply included, if needed, for domestic shipments



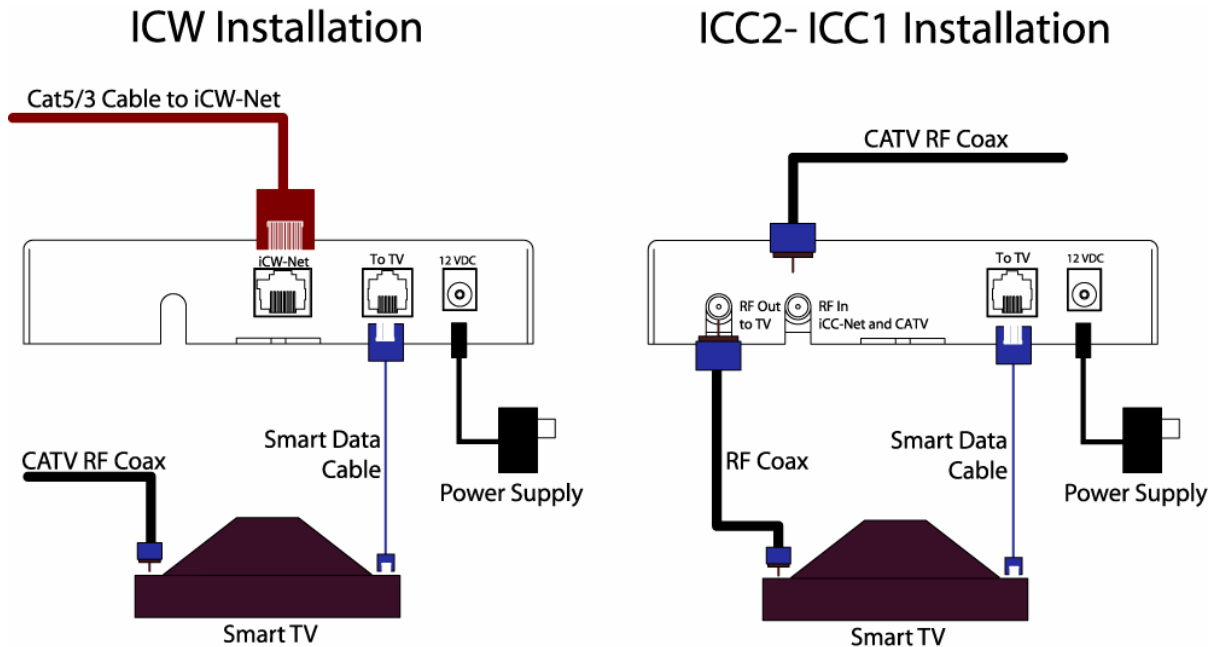
Internal Closures

- Type:
- 2 Solid-State output switch closures, max 50 mA, 24 VDC, switch to GND
 - 1 – GND
 - 2 – Output 1
 - 3 – Output 2
 - 4 – +12 VDC
 - Closure 1 - Pins 2 & 4 to provide DC on/off for optional buzzer
 - Closure 2 - Pins 1 & 3 for dry contact to external power relay, AMX PC1 or similar

Includes

- Smart TV data link cable
- Mounting hardware
- RF Loop Cable (ICC models only)
- 12 VDC Power Supply (Not included for international shipments or if powered by TV)

Installation



AC Power and Smart TV control

1. Insert DC power supply plug into 12 VDC jack. Newer model RCAs (since 01/2000) with 8-pin jacks power unit through data cable.
2. Plug power adaptor into AC wall outlet, the Net LED should turn on and stay lit.
3. Connect the included Smart TV data cable from the To TV jack to the TV's data jack (Newer RCA TVs use an 8-pin jack, insert the 6-pin plug in the middle of the 8-pin jack).
4. The TV/COM LED will be off before inserting the cable, switches to on when communication is established, flashes when a button is pressed on the TV or IR remote.

RF Coax and iCC-Net Operation (ICC2, ICC1)

1. Connect the CATV RF Coax cable into the RF In jack.
2. If the iCC-Net signal is operating, the Net LED will blink once per second.
3. Connect RF loop cable (included) from RF Out to TV's RF input.

iCW-Net Connection (ICW)

1. Plug the iCW-Net RJ-45 connector into the iCW-Net input.
2. If the iCW-Net signal is operating, the Net LED will blink once per second.
3. Connect the CATV RF Coax cable to the TV's RF input.

Using the IC-RC Remote for On-Screen Menus

In order to complete the setup, you'll need the IC-RC IR Remote to use the On-Screen Menus. Typically, the remote is shipped ready to communicate to Smart TV. Just in case, here's how to set the IR codes in the remote:

1. Press and hold the Select button and a numeric key for the code # below.
2. Release the two keys at the same time.
3. The remote will now send the selected codes.
4. Remote will keep the codes, even if battery power is lost.

IR Code Format	Code
Zenith Smart TV	1
Philips Smart TV	2
RCA Smart TV	3

On-Screen Setup Menus

The remaining installation steps use the IR remote and the TV's built-in character generator.

1. Touch **Menu**, then **999**, then **Enter**.
2. The text **CR MENU>** should appear on the screen.
3. Key in one of the commands shown below, then press **Enter** to activate.
4. Note that, in Menu mode, the **Channel Down** key acts as a backspace/delete key and **Channel Up** can act as an **Enter**.

Command	Function
All	The following commands are used for all units
45678	Display firmware version
45679	Display the unit's Device #. At this point, you can use the Channel Down key as a Delete key, enter a new device # with the remote's numeric keypad, then hit Enter to save the new number.
65478	Reset unit, similar to disconnecting power then restarting.
65479	Disable smart port communication. After about 5 seconds the TV will drop communication with the TV controller and revert to stand alone TV mode. At this point, the installer can switch to the TV Mode on the remote control, and then adjust the TV setup parameters. To re-enable smart port, press Record on IC-RC.
65487	Initialize to factory default settings: Power on, unlocked, display channel 11, channel ring set to 4, 5, and 11, Group 0. Note that this command works even if TV power is off or control is locked out.
65482	Shows Net RX if receiving the iC-HE's "heartbeat" pulse once per second, !NET RX if not. Also displays receive signal strength in the ICC2.
ICC2	The following commands are used for the ICC2 only
65480	Enable constant Net transmit to the Head-End. This is used for measuring the signal strength of the ICC2 unit's RF output. Press Enter to stop transmitting, or the unit will automatically stop after 50 seconds.
65481	Display ICC2 transmitter frequency control voltage – should be 2000 - 3150.
65483	Display DF transmitter frequency deviation – should be 245 - 300.

RS-232 Control Protocol

Overview

RS-232 control for up to 4000 TV Controllers is provided through an iC-series Head-End Network Controller. The ICC-HE Head-End manages iC-Net communication over RF Coax to ICC1 (1-way) and ICC2 (2-Way) TV Controllers as well as ICW TV Controllers over twisted-pair Cat3/5 wiring. The ICW-HE Head-End operates on the twisted-pair network only.

Each TV Controller is assigned a unique device number from 1 to 4000 to which control commands are addressed. The devices are organized into 16 zones of 255 devices. All the devices in each zone will respond to a single "virtual device number" — one device number that represents all devices in each zone. There is also a global device number, 4095, that will command all devices in the system. This feature dramatically speeds up system operation and programming, because one command can affect an entire group of devices—or all. To take advantages of this feature, review the section **iC-Net Zones** in this manual.

In ABC Media Retrieval Systems, we reserve the first group of devices, 1-255, for components operating on a connected control system. Zones 1-16 are used for CR TV Controllers, Video Display Controllers and Tuners. As it's unlikely any system will use all 4000 devices, this may be a good device standard for your system as well.

The Remote RS-232 port on the Head-End Network Controller can communicate from 1200 to 38.4K baud. The factory default setting is 19.2K baud, 8 data bits, No parity, and 1 stop bit.

Command String Structure

Characters in command strings are expressed in a combination of hex and ASCII characters. For clarity, the following protocol examples use the following conventions:

- Single-byte hex numbers are preceded by the '\$' symbol
- ASCII characters or strings are enclosed in single quotes
- Numbers not marked as hex or ASCII are a single decimal byte
- Parameters shown in < > brackets are single byte
- A series of multiple commands or parameters are set apart by [] brackets
- Commas separate the bytes, but are not part of the protocol
- Double quotes enclose the command string, but are not part of the protocol

Command format:

"\$A5,<dh>,<dl>,<ncb>,<cmd1>,<parameter> [<cmdN>]"

\$A5	Starts the command
<dh>	The zone or high order byte of the device
<dl>	The unit or low order byte of the device (0 for global zone)
<ncb>	The number of command bytes to follow
<cmd1>	The first command byte
<parameter>	Command parameters (not used by all commands)
[<cmdN>]	Multiple commands can be concatenated, with byte count added to <ncb>

RS-232 Commands

Command		Description
Power Off	P0	"\$A5,<dh>,<dl>,2,'P0' " (6 bytes) – checks TV data for true power control
Power On	P1	"\$A5,<dh>,<dl>,2,'P1' " (6 bytes) – checks TV data for true power control
Power Toggle	PT	"\$A5,<dh>,<dl>,2,'PT' " (6 bytes) – checks TV data for true power control
Operating Parameters	TM	"\$A5,<dh>,<dl>,3,'TM',<setting>" (7 bytes) Sets up key functions in the unit bit 7 Selects TV frequency tuning mode, 0=CATV, 1=Broadcast/Antenna bit 6 – 3 = 0 bit 2 – Channel up/down operation, 0=Tune Ring, 1=Send IR Keypad response bit 1 – Numeric channel labels, 0=num labels off, 1=num labels on) bit 0 – Alpha channel labels, 0=alpha labels off, 1=alpha labels on
Volume	VL	"\$A5,<dh>,<dl>,3,'VL',<vol level>" (7 bytes) Sets TV volume level 0 = Mute 1 – 63 = Minimum level (1) to maximum volume (63)
Marquee Chan	T2	"\$A5,<dh>,<dl>,3,'T2',<channel> " (7 bytes) – Sets default power-up channel Sets default channel selected when unit powers up (units with firmware older than V5.5 used T1 to set Marquee Channel – update programming, if required, when using V5.5 or newer firmware)
<i>Ts & Qs</i>		<i>The following T-series channel commands select a channel and display the channel label on the TV, while Q-series commands don't show the on-screen text.</i>
T Channel Up	TU	"\$A5,<dh>,<dl>,2,'TU' " (6 bytes) – Tunes to next channel up in Tune Ring
T Channel Dwn	TD	"\$A5,<dh>,<dl>,2,'TD' " (6 bytes) – Tunes to next channel down in Tune Ring
Force T Channel	TC	"\$A5,<dh>,<dl>,3,'TC', <channel>" (7 bytes) – Tunes to a specific channel 124 = RGB 2 input on TV 125 = RGB input on TV 126 = Select TV composite A/V input 127 = Select S-Video Input 0 = Blank video output to TV 255 = Unblank TV video (restore to previous channel) Tip: Not all inputs are available on every TV make and model
Select T Channel	TT	"\$A5,<dh>,<dl>,2,'TT' <channel>" (7 bytes) – Tunes channel if included in TR
Channel Query	T?	"\$A5,<dh>,<dl>,2,'T?' " (6 bytes) – Request response for current channel
Q Channel Up	QU	"\$A5,<dh>,<dl>,2,'QU' " (6 bytes) – Tunes to next channel up in Tune Ring
Q Channel Dwn	QD	"\$A5,<dh>,<dl>,2,'QD' " (6 bytes) – Tunes to next channel down in Tune Ring
Force Q Channel	QC	"\$A5,<dh>,<dl>,3,'QC', <channel>" (7 bytes) – Tunes to a specific channel Same special-function channels as in the T Channel Select section above
Select Q Channel	QT	"\$A5,<dh>,<dl>,2,'QT',<channel>" (7 bytes) – Tunes channel if included in TR

Command	Description
Tune Ring	<p>TR "\$A5,<dh>,<dl>,<ncb>,'TR', [<chan 1>, <chan N>]" (variable bytes)</p> <p>This command stores a Tune Ring, a series of preset channels accessed by channel up/down commands.</p> <p>Ex1: "\$A5,<dh>,<dl>,6,'TR', 5,4,8,11" sets ring to channels 5, 4, 8 and 11 Tip: The ring follows the stored order, channels do not have to be in ascending order Ex2: "\$A5,<dh>,<dl>,2,'TR' " clears the Tune Ring, locks unit to current channel Tip: In the above mode, the IR Keypad channel up/down response to the Head-End, so the system will know the user is trying to change channels. In response, the system could change channels on a media sources, like a VCR or satellite. Ex3: "\$A5,<dh>,<dl>,8,'TR', \$82,5,\$87,11" sets channels 2-5 and 7-11. You can specify a range using MSB bit for the first channel; the next byte is the last.</p>
Channel Labels	<p>TN "\$A5,<dh>,<dl>,<ncb>,'TN',<channel>,<label>" (variable bytes)</p> <p>Stores an ASCII string as the channel label. The text will appear briefly when the channel is selected, if the feature has been activated by Setup command (TM).</p> <p>Ex1: "\$A5,<dh>,<dl>,3,'TN', '7', 'PBS' " TV displays PBS when 7 is selected Ex2: "\$A5,<dh>,<dl>,3,'TN', '7' " Clears alpha label for channel 7 Ex3: "\$A5,<dh>,<dl>,3,'TN',0,0" Clears all alpha labels</p>
Display Label	<p>TC "\$A5,<dh>,<dl>,2,'TC' " (6 bytes) – Display current channel label for about 15 sec.</p>
Closures	<p>Y- "\$A5,<dh>,<dl>,3, 'Y' <I/O Port>' " (7 bytes)</p> <p>Turns the two internal closures on and off. Closure 1 is typically used to control the optional buzzer, Closure 2 typically used to control an external camera power relay.</p> <p>"\$A5,<dh>,<dl>,3, 'Y10'" turns Closure 1 off "\$A5,<dh>,<dl>,3, 'Y11'" turns Closure 1 on "\$A5,<dh>,<dl>,3, 'Y20'" turns Closure 2 off "\$A5,<dh>,<dl>,3, 'Y21'" turns Closure 2 on</p>
Control Lock	<p>LM "\$A5,<dh>,<dl>,3,'LM',<control>" (7 bytes)</p> <p>Locks out front panel and IR remote control functions.</p> <p>Bit 7 Selects IR remote control operation, except vol. (0=enabled, 1=disabled) Bit 6 Selects volume control operation (0=enabled, 1=disabled) Bit 5 - 1 Always 0 Bit 0 Selects TV front panel buttons operation except vol (0=enabled, 1=disabled)</p>
Device Status	<p>SP "\$A5,0,0,3,'SP'" (6 bytes)</p> <p>Queries the Head-End for the number of devices present on the network and the number of devices expected.</p>

Command	Description
Write Text	<p data-bbox="483 159 1474 226">DM "\$A5,<dh>,<dl>,<ncb>,'DM', <start line>,<text color>,<background color>,<background>,<size and shadow>,<timeout>,<message bytes>" (variable bytes)</p> <p data-bbox="483 243 1474 403">Clears current text, displays text message over video (normal) or blank background. The built-in character generator can accept up to 40 characters of text (including carriage returns), 28 characters per line. Use a hex \$0D or decimal 13 in the text as a carriage return, which will advance CG to the next line, first space on the right.</p> <p data-bbox="483 436 1474 625"> Start Line - 1-11 Text Color - 1-7= White Text Background Color – 0-7=Transparent (no background) Full screen background – 0=normal insert over video, 1=blank screen (blue) Size and Shadow – 0-3=small text with drop shadow Time-Out – 0=15-second display, 1=persistent </p> <p data-bbox="483 676 1474 739">Persistent text stays on screen until the next DM command a new Menu or channel is selected.</p> <p data-bbox="483 751 1474 844">Ex1: "\$A5,<dh>,<dl>,10,'DM', 2,7,0,0,1,0,'TEST' " displays the word TEST on the second line, white text, inserted over video, small size with drop shadow, and timing out after 15 seconds.</p> <p data-bbox="483 877 1474 903">Ex2: "\$A5,<dh>,<dl>,2,'DM' " clears on-screen display, also clears persistent text</p>

RS-232 Responses

Two-way iC-Net devices will send a response over the network whenever there is a change in status or command from an IR remote or front panel.

Response String Structure

Characters in response strings are expressed in a combination of hex and ASCII characters. For clarity, the following protocol examples use the following conventions:

- ASCII characters or strings are shown enclosed in single quotes
- Numbers shown that are not in single quotes are a single decimal byte
- Parameters shown in < > brackets are single byte
- A series of multiple commands or parameters are set apart by [] brackets
- Commas separate the bytes, but are not part of the protocol
- Double quotes enclose the command string, but are not part of the protocol

Command format:

"`<'<dh>,<dl>,<nrb>,<rb1>,<para1> [<rbN>]"

`>' Starts the response
 <dh> The zone or high order byte of the device
 <dl> The unit or low order byte of the device (0 for global zone)
 <nrb> The number of response bytes to follow
 <rb1> The first response byte
 <para1> Associated parameters, if any
 [<rbN>] Multiple responses may be included

Response		Description
New Channel	T	"`<'<dh>,<dl>,2,'T',<new channel>" (6 bytes) Sends in response to T? command.
IR Function	F	"`<'<dh>,<dl>,2,'F',<IR Function>" (6 bytes) Sent when unit receives a new function command is pressed (1-8) or released (0) from the IR remote. 0 = Release 1 = Play 2 = Stop 3 = Pause 4 = Fast Forward 5 = Rewind 8 = Record

Response	Description														
IR Key	<p data-bbox="391 163 948 195">K "`<',<dh>,<dl>,2,'K',<IR Key>" (6 bytes)</p> <p data-bbox="444 226 1463 289">Sent when unit receives a new key command is pressed (10-116) or released (0) from the IR remote.</p> <table data-bbox="444 321 1192 548"> <tr> <td>0 = Release</td> <td>105 = Media Menu</td> </tr> <tr> <td>10 - 19 = Numeric keypad entry 0 – 9</td> <td>106 = Cursor Right</td> </tr> <tr> <td>21 = Enter</td> <td>107 = Cursor Left</td> </tr> <tr> <td>22 = Channel Up</td> <td>108 = Cursor Up</td> </tr> <tr> <td>23 = Channel Down</td> <td>109 = Cursor Down</td> </tr> <tr> <td>29 = Menu</td> <td>110 = Media Select</td> </tr> <tr> <td>101 = Previous Channel</td> <td>116 = Timer</td> </tr> </table> <p data-bbox="444 579 1463 674">The 0 – 9, Channel Up/Down functions are sent only if enabled in the TM command (Bit 2 = 1). The Channel Up/Down responses will be sent if the Tune Ring contains no channels – see Ex2 in the Tune Ring command section.</p>	0 = Release	105 = Media Menu	10 - 19 = Numeric keypad entry 0 – 9	106 = Cursor Right	21 = Enter	107 = Cursor Left	22 = Channel Up	108 = Cursor Up	23 = Channel Down	109 = Cursor Down	29 = Menu	110 = Media Select	101 = Previous Channel	116 = Timer
0 = Release	105 = Media Menu														
10 - 19 = Numeric keypad entry 0 – 9	106 = Cursor Right														
21 = Enter	107 = Cursor Left														
22 = Channel Up	108 = Cursor Up														
23 = Channel Down	109 = Cursor Down														
29 = Menu	110 = Media Select														
101 = Previous Channel	116 = Timer														
IR Menu	<p data-bbox="391 678 1224 709">M "`<',<dh>,<dl>,5,'M',<msh>, <msl>, <mph>, <mpl>" (9 bytes)</p> <p data-bbox="444 741 1474 835">Sent when unit receives a new Menu command is pressed or released (0) from the IR remote. Menu Selection high and low bytes are in <msh> and <msl>. Menu Parameter high and low bytes are in <mph> and <mpl>.</p> <p data-bbox="444 867 1450 961">A Menu command is initiated by pressing the Menu key, followed by a numeric entry, then the Enter or Channel Up key. During the Menu process, the Channel Down key acts as a backspace or delete key.</p> <p data-bbox="444 993 1471 1056">Some selections that need only a single numeric entry and will have a parameter value of zero (0). Those keys are 0, 8, 9, 18, 20, 30, 900, 911, and 912.</p> <p data-bbox="444 1087 1401 1119">Menu selections that will prompt the user to enter a second parameter entry are:</p> <table data-bbox="444 1150 678 1476"> <tr><td>1 = Select Media</td></tr> <tr><td>2 = Password</td></tr> <tr><td>3 = Chapter Search</td></tr> <tr><td>4 = Frame Search</td></tr> <tr><td>11 = Channel</td></tr> <tr><td>21 = Page Zone</td></tr> <tr><td>22 = Page Room</td></tr> <tr><td>25 = Go</td></tr> <tr><td>21 = Attach Zone</td></tr> <tr><td>32 = Attach Room</td></tr> </table> <p data-bbox="444 1507 1159 1539">Tip: The Menu entries are active even if the TV power is off.</p>	1 = Select Media	2 = Password	3 = Chapter Search	4 = Frame Search	11 = Channel	21 = Page Zone	22 = Page Room	25 = Go	21 = Attach Zone	32 = Attach Room				
1 = Select Media															
2 = Password															
3 = Chapter Search															
4 = Frame Search															
11 = Channel															
21 = Page Zone															
22 = Page Room															
25 = Go															
21 = Attach Zone															
32 = Attach Room															
Device Response	<p data-bbox="391 1539 1401 1570">SP "'<',0,0,4,'SP',<number devices present>,<number devices expected> (8 bytes)</p> <p data-bbox="444 1602 878 1633">Sent in response to HE status query.</p> <p data-bbox="444 1665 1474 1759">Tip: If the number of present and expected devices match, the green Net LED on the HE will blink once per second. If the two numbers do not agree, the LED blinks twice per second.</p>														

iC-Net Zones

To simplify controlling groups of devices, iC-Net is divided into 16 zones of 255 devices. All the devices within each zone can be controlled simultaneously by sending a command to a single "virtual device number".

For example, noting the zone chart below, if we send a Power On command to device #256, any TV controller numbered between 257 and 511 will instantly turn on. If we send a Power Off command to device #4095, all devices in the system will turn off.

This is an immensely powerful feature, because most systems can only address one device at time. So if you need to turn off all 50 TV in a zone, you would need to send 50 commands. In addition to the hassles of creating multiple commands, there would be a long delay between the first and last command. One command, instant response is easier.

As we noted before, ABC Media Retrieval Systems reserve Zone 0 for devices used in the central control system, 1 -15 for iC-Net devices. This structure may be useful for your application, or you could use Zone 0 just like any other iC-Net zone.

Zone	First Device	Last Device	Virtual Device
0	1	255	0
1	257	511	256
2	513	767	512
3	769	1023	768
4	1025	1279	1024
5	1281	1535	1280
6	1537	1791	1536
7	1793	2047	1792
8	2049	2303	2048
9	2305	2559	2304
10	2561	2815	2560
11	2817	3071	2816
12	3073	3327	3072
13	3329	3583	3328
14	3585	3839	3584
15	3841	4000	3840
All Zones			4095

Tip: You've probably figured out that you never want to assign a **virtual device** number to an **actual device** in the system. If you assigned #1536 to a device, all the TV controllers in Zone 6 would respond every time you sent a command to that one device.

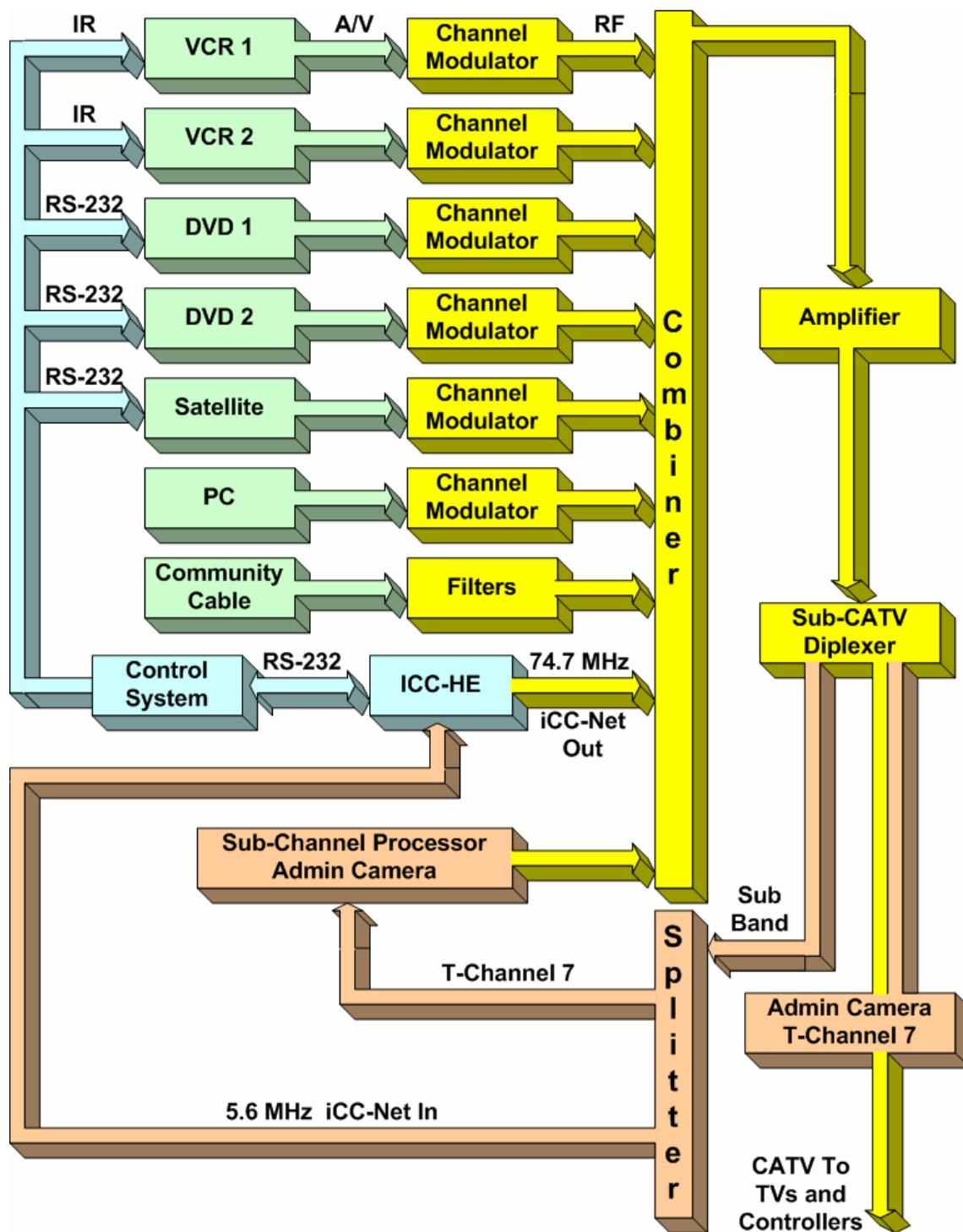
System Map

One of the key tasks for iC-Net integrators is to create a logical **System Map**, assigning device numbers to TV controllers so they fall into logical zones. The device mapping could be sorted by type or location; whichever suits the application.

iC-Net Zone	Zone	Room	Device
1	W 1 st Floor		256
		W151	257
		W152	258
		W153	259
		W154	260
2	W 2 nd Floor		512
		W251	513
		W252	514
		W253	515
		W254	516
3	E 1 st Floor		768
		E151	769
		E152	770
		E153	771
		E154	772
4	E 2 nd Floor		1024
		E251	1025
		E252	1024
		E253	1025
		E254	1026
5	Coffee Areas		1280
		G100	1281
		G150	1282
		G151	1283
6	Day Care		1536
		TV 1	1537
		TV 2	1538
7	Hallways		1792
		W1	1793
		W2	1794
		E1	1795
		E2	1796
8	Office		2048
		Admin	2049
		A/V Center	2050
All Zones	All		4095

Typical RF and ICC-Net Signal Flow

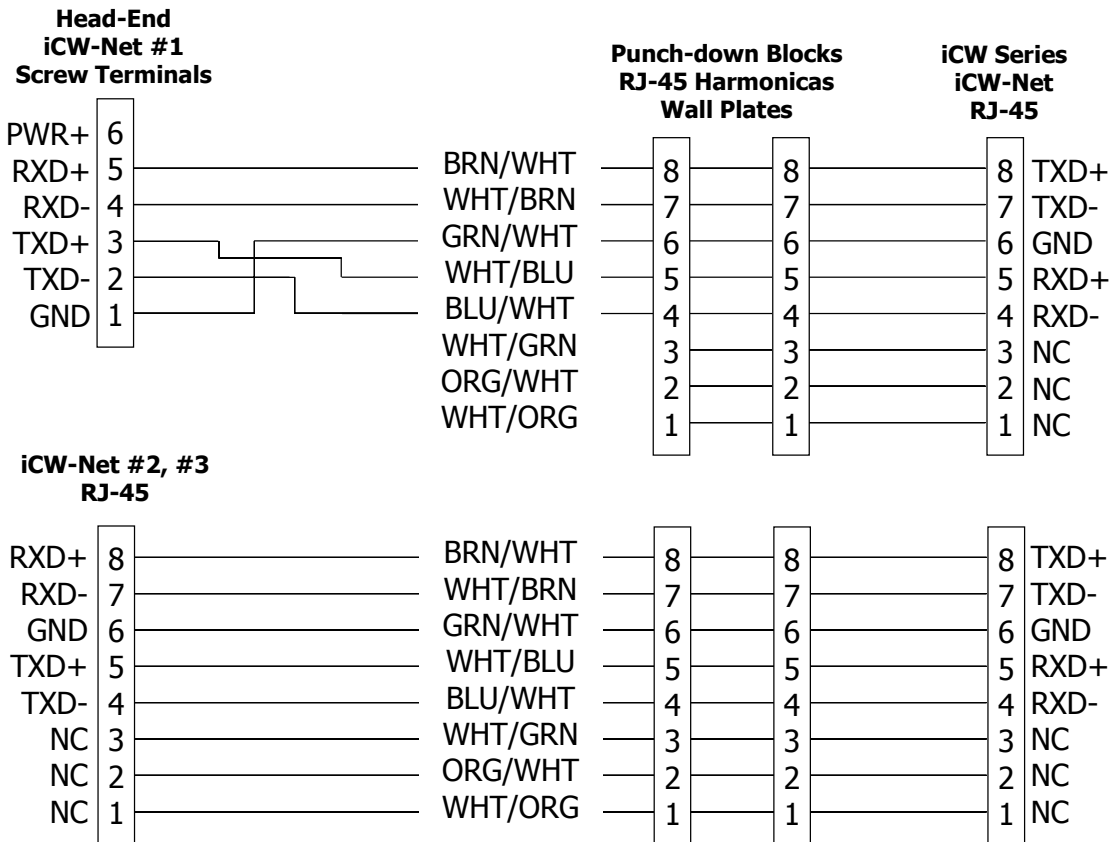
The diagram below shows the structure of a typical Contemporary Research media retrieval system. One of the key aspects for iCC-Net communication is to provide a forward and return (sub-channel) path for data if you're using ICC2 2-way TV Controllers.



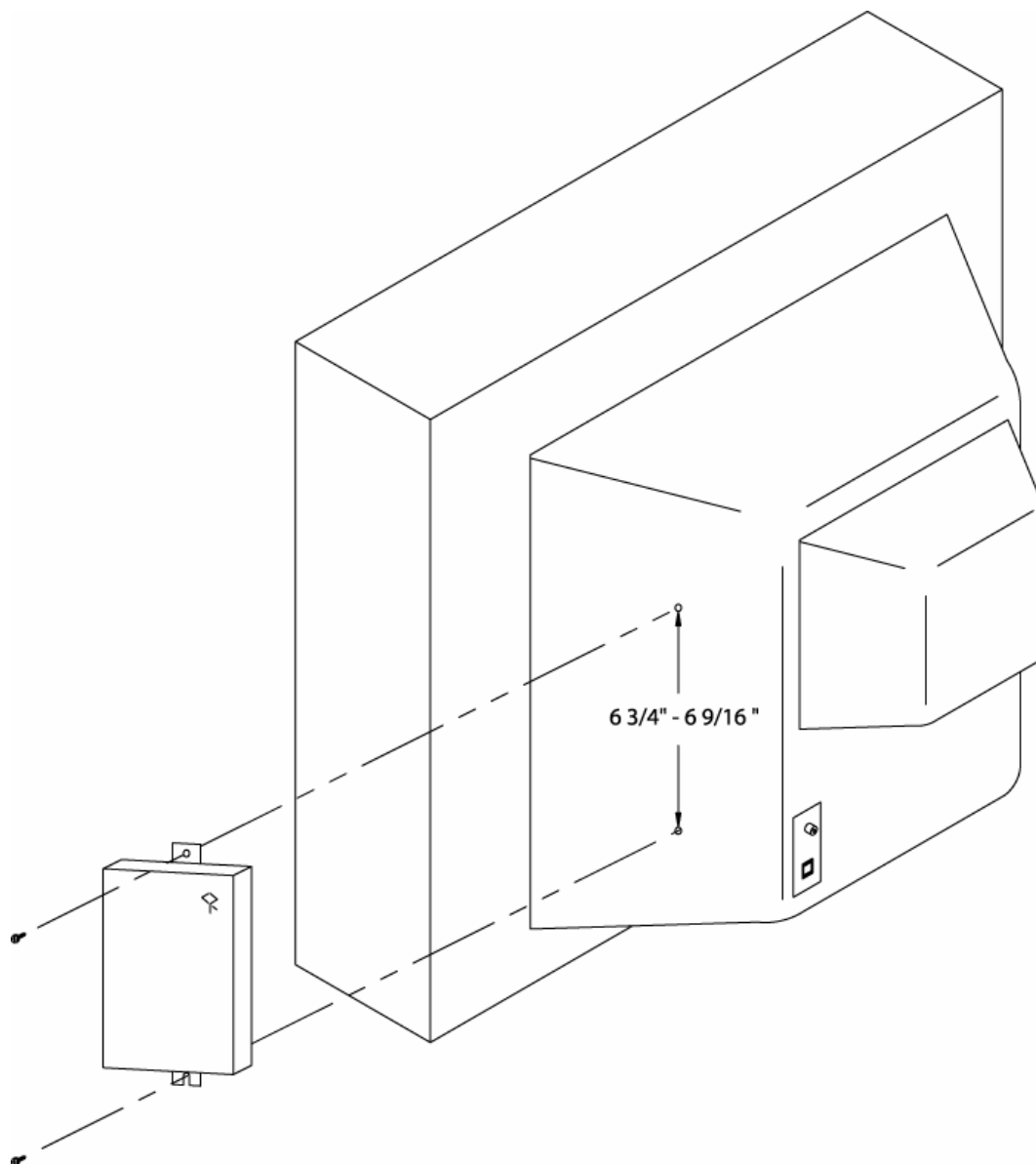
iCW-Net Wiring

Use Category 3 or Category 5 wire, 4 pair, unshielded, 24 AWG.

The iCC-HE and iCW-HE Head-End Network Controllers include three iCW-Net ports for twisted-pair wired networking. Control wiring can be home-run to ports or run in a star format, using punch-down blocks or RJ-45 "harmonicas" to distribute signals to multiple iCW-Net devices. Open wiring runs do not need termination.



Mounting



In most cases, you'll mount the TV Controller on the right side of the TV, towards the rear of the rear hood. ***Make sure you minimize blockage of any vent slots in the process.***

- Drill pilot holes (#36 0.106" or 7/64 0.109"), between $6\frac{3}{4}$ to $6\frac{9}{16}$ apart
- Attach TV Controller using the two #6 self-tapping screws (included)

Safety Instructions

Read before operating equipment.

1. **Cleaning** - Unplug this product from the wall outlet before cleaning. Do not use liquid cleaners or aerosol cleaners. Use a damp cloth for cleaning.
2. **Power Sources** - Use supplied or equivalent UL/CSA approved low voltage DC plug-in transformer.
3. **Outdoor Antenna Grounding** - If you connect an outside antenna or cable system to the product, be sure the antenna or cable system is grounded so as to provide some protection against voltage surges and built-up static charges. Section 810 of the National Electrical Code, ANSI/NFPA No. 70, provides information with respect to proper grounding of the mast and supporting structure, grounding of the lead-in wire to an antenna discharge unit, size of grounding conductors, location of antenna discharge unit, connection to grounding electrodes, and requirements for the grounding electrode.
4. **Lightning** - Avoid installation or reconfiguration of wiring during lightning activity.
5. **Power Lines** - Do not locate an outside antenna system near overhead power lines or other electric light or power circuits or where it can fall into such power lines or circuits. When installing an outside antenna system, refrain from touching such power lines or circuits, as contact with them might be fatal.
6. **Overloading** - Do not overload wall outlets and extension cords as this can result in a risk of fire or electric shock.
7. **Object and Liquid Entry** - Never push objects of any kind into this product through openings as they may touch dangerous voltage points or short out parts, resulting in a fire or electric shock. Never spill liquid of any kind on the product.
8. **Servicing** - Do not attempt to service this product yourself as opening or removing covers may expose you to dangerous voltage or other hazards. Refer all servicing to qualified service personnel.
9. **Damage Requiring Service** - Unplug this product from the wall outlet and refer servicing to qualified service personnel under the following conditions:
 - When the power supply cord or plug is damaged.
 - If liquid spills or objects fall into the product.
 - If the product is exposed to rain or water.
 - If the product does not operate normally by following the operating instructions. Adjust only those controls that are covered by the operating instructions. An improper adjustment of other controls may result in damage and will often require extensive work by a qualified technician to restore the product to its normal operation.
 - If the video product is dropped or the cabinet is damaged.
 - When the video product exhibits a distinct change in performance, this indicates a need for service.

*** Note to CATV system installer:** This reminder is provided to call CATV system installer's attention to Article 820-40 of the National Electrical Code (Section 54 of Canadian Electrical Code, Part I), that provides guidelines for proper grounding and, in particular, specifies that the cable ground shall be connected to the grounding system of the building as close to the point of cable entry as possible.

Limited Warranty and Disclaimer

Contemporary Research Corporation (CR) warrants this product to be free from defects in material and workmanship under normal use for a period of two years from the date of purchase from CR. Should such a defect occur CR will repair or replace, at their option, the defective product at no cost for parts or labor.

This warranty extends to product purchased directly from CR or an Authorized CR Dealer. Consumers should inquire from selling dealer as to the nature and extent of the dealer's warranty, if any.

All warranty claims must be shipped pre-paid to the factory. Call or fax to obtain a Return Material Authorization (RMA) number.

CR is not liable for any damages caused by any of its products or for the failure of any products to perform, including any lost profits, lost savings, incidental damages, or consequential damages. CR is not responsible for any claim made by a third party or made for you by a third party. This limitation of liability applies whether damages are sought, or a claim is made, under this warranty or as a tort claim (including negligence and strict product liability), a contract claim, or any other claim. This limitation of liability cannot be waived or amended by any person. This limitation of liability will be effective even if CR or an authorized representative of CR has been advised of the possibility of any such damages.

Some states do not allow a limitation of how long an implied warranty lasts. Some states do not allow the limitation or exclusion of incidental or consequential damages for consumer products. In such states, the limitation or exclusion of the Limited Warranty may not apply to you. This Limited Warranty gives you specific legal rights. You may also have other rights that may vary from state to state. You are advised to consult applicable state laws for a full determination of your rights.

Except as expressly set forth in this Limited Warranty, CR makes no other warranties, expressed or implied, including any implied warranties of merchantability or fitness for a particular purpose. CR expressly disclaims all warranties not stated in this Limited Warranty. Any implied warranties that may be imposed by law are limited to the terms of this Limited Warranty.