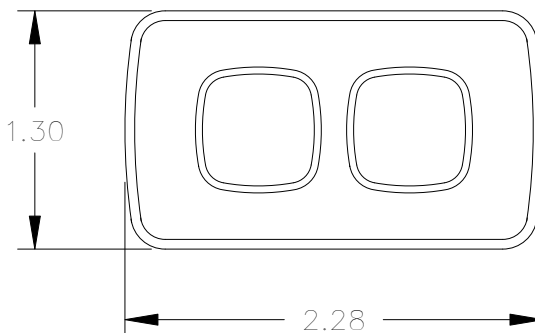
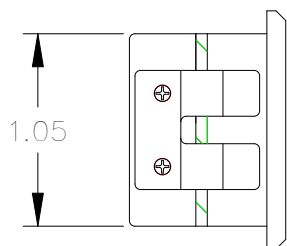
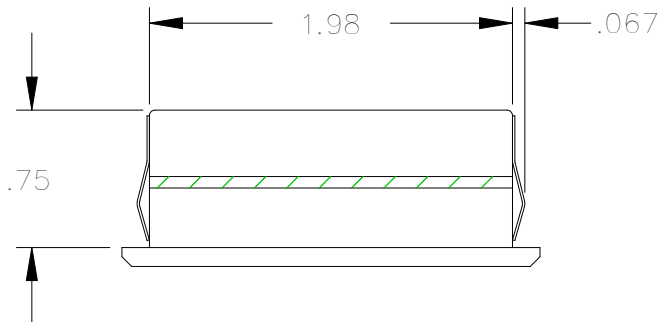


Cable exit adds 0.20 to this depth for 0.95 max



| Pinout IC-FT2 | |
|----------------|-----------------|
| Conn DB-9 male | |
| 1 | Chassis GND |
| 2 | Switch 1 |
| 3 | LED Feedback 1 |
| 4 | Switch 2 |
| 5 | Gnd (Pwr & Sig) |
| 6 | Power In (5VDC) |
| 7 | LED Feedback 2 |
| 8 | |
| 9 | |

NOTES:

1. Button illuminated amber(yellow)/green or red/green
2. Switch output is 330 ohms to Gnd when button pressed

UNLESS OTHERWISE SPECIFIED:

DECIMAL DIMENSIONS INCLUDING HOLES XX ±.010

XXX ±.005


FRACTIONAL DIMENSIONS INCLUDING HOLES ±1/64

ANGLES ±1°

SURFACE FLATNESS .003 TIR PER LINEAR INCH.

ALL DIMENSIONS IN INCHES.

DO NOT SCALE THIS DRAWING.

| SYM | ECO NO. | DESCRIPTION | DATE | APPR. |
|---------------------|---------------|---|----------|-----------|
| **** REVISIONS **** | | | | |
| DRAWN | DATE |  Contemporary Research TITLE PRODUCT DRAWING IC-FT2 | | |
| MEO | 2/14/02 | | | |
| CHECKED | DATE | | | |
| APPROVED | DATE | | | |
| RELEASED | DATE | SCALE 1:1 | DWG. NO. | DWG. SIZE |
| DIR | FILE | SHT 1 OF 3 | 950-5210 | A |
| DIR | IC-FT2_PD.DWG | | | |