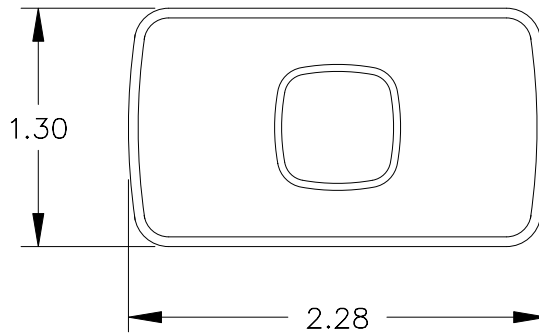
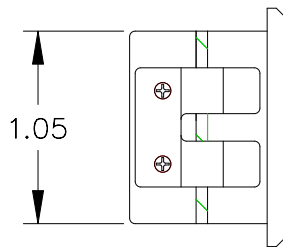
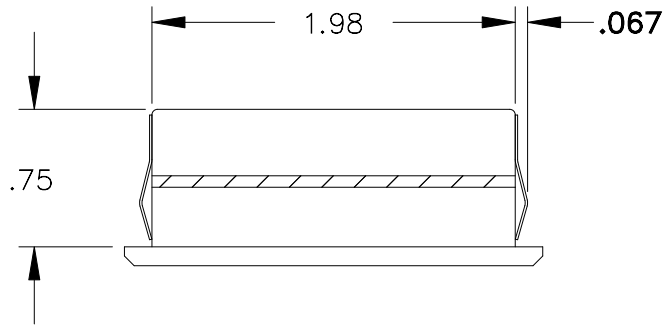


Cable exit adds 0.20 to
this depth for 0.95 max



Pinout IC-FT1	
Conn DB-9 male	
1	Chassis GND
2	Switch 1
3	LED Feedback 1
4	
5	Gnd (Pwr & Sig)
6	Power In (5VDC)
7	
8	
9	

NOTES:

1. Button LED illuminated amber(yellow)/green or red/green
2. Switch output is 330 ohms to Gnd when button pressed

UNLESS OTHERWISE SPECIFIED:

DECIMAL DIMENSIONS INCLUDING HOLES XX ±.010

XXX ±.005


FRACTIONAL DIMENSIONS INCLUDING HOLES ±1/64

ANGLES ±1°

SURFACE FLATNESS .003 TIR PER LINEAR INCH.

ALL DIMENSIONS IN INCHES.

DO NOT SCALE THIS DRAWING.

SYM	ECO NO.	DESCRIPTION	DATE	APPR.
*** REVISIONS ***				
DRAWN	DATE	 Contemporary Research TITLE PRODUCT DRAWING IC-FT1		
MEO	2/14/02			
CHECKED	DATE	SCALE	DWG. NO.	DWG. SIZE
APPROVED	DATE	1:1	950-5205	A
RELEASED	DATE	SHT 1 OF 3		
DIR	DIR	FILE		
		IC-FT1_PD.DWG		