

# Product Manual

## FT1-3

---

**FeatherTouch Closure Panels**

**December 20, 2005**



17630 Davenport Road, Suite 113 • Dallas, TX 75252  
Phone: 972-931-2728 • Toll-Free: 888-972-2728 • Fax: 972-931-2765  
E-Mail: [Sales@crwww.com](mailto:Sales@crwww.com) • Website: [www.crwww.com](http://www.crwww.com)

# Table of Contents

---

<b>Overview</b> .....	<b>3</b>
<b>FT1-3 Specifications</b> .....	<b>4</b>
Physical .....	4
User Interface .....	4
Connections .....	4
<b>Limited Warranty and Disclaimer</b> .....	<b>5</b>

# Overview

---



*FT1*



*FT2*

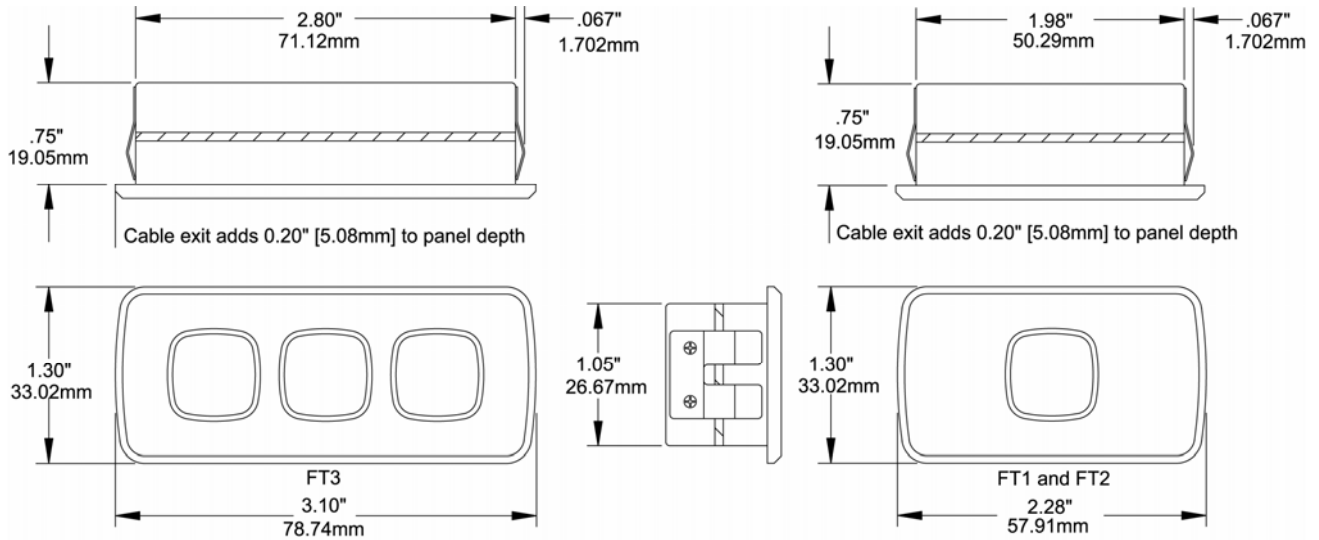


*FT3*

The FeatherTouch FT1, FT2, and FT3 panels, offered in 1-, 2-, and 3-button models, deliver a small touch of custom control, ranging from 2.3" to 3.1" wide and mounting within a .75 inch depth. All three panels easily interface with custom control systems with simple closures, each button sends one closure to an input, and single control closure switches LED colors for feedback. Panel logic and always-on button illumination is driven by a 5 VDC power supply. A fully custom control solution, each panel is computer-machined from aircraft-quality aluminum.

- Features computer machined aluminum enclosure, custom-plated in a variety of metal finishes
- Snap-mounts into wood, metal and plastic surfaces
- Operates using 1-3 always-illuminated, custom-engraved buttons, select from amber/green or red/green LEDs
- Simple contact-closure operation
- Design Forms available to define engraving, LED colors, finish, and cable

# FT1-3 Specifications



## Physical

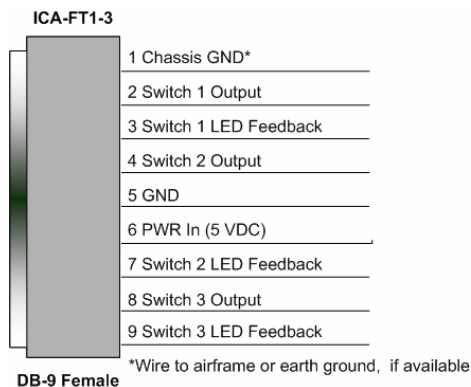
FT1:	2.28" [57.91mm] wide x 1.30" [33.02mm] high x .75" [19.05mm] deep
Cut-Out:	2.06" [52.33mm] wide x 1.07" [27.18mm] high
FT2:	2.28" [57.91mm] wide x 1.30" [33.02mm] high x .75" [19.05mm] deep
Cut-Out:	2.06" [52.33mm] wide x 1.07" [27.18mm] high
FT3:	3.10" [78.74mm] wide x 1.30" [53.98mm] high x .75" [19.05mm] deep
Cut-Out:	2.88" [73.15mm] wide x 1.07" [27.18mm] high
Weight:	4 oz [113 g]
Enclosure:	Machined aluminum enclosure, plated with custom finish
Mounting:	Surface mounted, friction-fit, spring clips included

## User Interface

Buttons:	Backlit via dual-color LEDs, color indicates status Options include amber/green or red/green LEDs Custom-engraved keycaps
----------	---

## Connections

Control/Power	DB-9 male connector, installed on 12" cable
Power:	5VDC (4.85V - 5.15V), FT1-23 mA, FT1-45 mA, FT1-70 mA
Switch Output:	1-3 switch closures, 330 ohms to GND when closed
Switch Input:	1-3 closure inputs for LED feedback, 3.3K ohm pull-up to +5VDC supply
Wiring:	Pin 1 Chassis GND is connected to the metal bezel and should be tied to earth or airframe GND, or left unconnected.



# Limited Warranty and Disclaimer

---

Contemporary Research Corporation (CR) warrants this product to be free from defects in material and workmanship under normal use for a period of two years from the date of purchase from CR. Should such a defect occur CR will repair or replace, at their option, the defective product at no cost for parts or labor.

This warranty extends to product purchased directly from CR or an Authorized CR Dealer. Consumers should inquire from selling dealer as to the nature and extent of the dealer's warranty, if any.

All warranty claims must be shipped pre-paid to the factory. Call or fax to obtain a Return Material Authorization (RMA) number.

CR is not liable for any damages caused by any of its products or for the failure of any products to perform, including any lost profits, lost savings, incidental damages, or consequential damages. CR is not responsible for any claim made by a third party or made for you by a third party. This limitation of liability applies whether damages are sought, or a claim is made, under this warranty or as a tort claim (including negligence and strict product liability), a contract claim, or any other claim. This limitation of liability cannot be waived or amended by any person. This limitation of liability will be effective even if CR or an authorized representative of CR has been advised of the possibility of any such damages.

Some states do not allow a limitation of how long an implied warranty lasts. Some states do not allow the limitation or exclusion of incidental or consequential damages for consumer products. In such states, the limitation or exclusion of the Limited Warranty may not apply to you. This Limited Warranty gives you specific legal rights. You may also have other rights that may vary from state to state. You are advised to consult applicable state laws for a full determination of your rights.

Except as expressly set forth in this Limited Warranty, CR makes no other warranties, expressed or implied, including any implied warranties of merchantability or fitness for a particular purpose. CR expressly disclaims all warranties not stated in this Limited Warranty. Any implied warranties that may be imposed by law are limited to the terms of this Limited Warranty.