

FT 1-3

FeatherTouch Closure Panels



In a world of generic injection-molded control panels, **FeatherTouch** closure panels stand out as an exceptional, truly custom user interface. Each **FeatherTouch** closure panel begins as a solid block of aircraft-grade aluminum, sculpted into an elegant, compact enclosure with computer-guided precision. Even the switch keys inside are computer-carved from of a solid square of milk-white plastic, designed to evenly transmit the panel's constant LED illumination. Completing the custom touches are engraved keycaps, a choice of LED colors, and a wide selection custom-plated metal finishes.

Available with 1, 2, and 3 switches, **FeatherTouch** closure panels snap-fit in to a variety of small spaces, including wood furniture and cabinetry, as well metal and plastic surfaces. Each of the switches are constantly illuminated by two-color LEDs, available in amber/green or red/green colors.

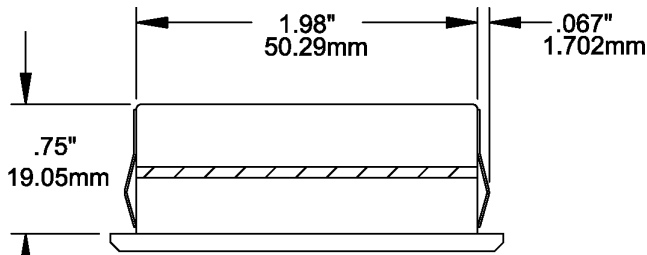
Operated by contact closures and powered by 5 VDC power, **FeatherTouch** closure panels easily interface with custom control systems.

Featured in the luxury environments, aircraft, and yachts - as well as a number of American Airlines Admiral's Clubs, **FeatherTouch** closure panels add a touch of class to any custom installation.

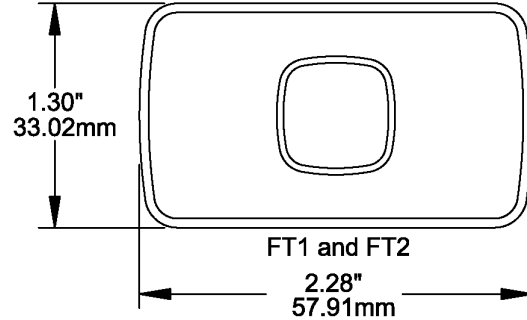
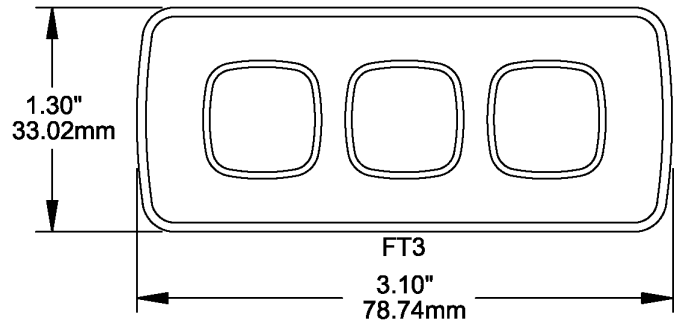
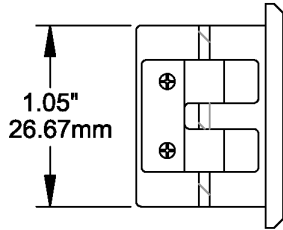
Features

- ▽ Elegant computer machined aluminum enclosure, custom-plated in a variety of metal finishes
- ▽ Snap-mounts into wood, metal and plastic surfaces
- ▽ Operates using 1-3 always-illuminated, custom-engraved buttons, select from amber/green or red/green LEDs
- ▽ Integrates with control applications using contact closures and 5 VDC power

FT1-3 Specifications



Cable exit adds 0.20" [5.08mm] to panel depth



Physical

Size: FT1 - 2.28" [57.91mm] wide x 1.30" [33.02mm] height x .75" [19.05mm] deep
FT2 - 2.28" [57.91mm] wide x 1.30" [33.02mm] height x .75" [19.05mm] deep
FT3 - 3.10" [78.74mm] wide x 1.30" [33.02mm] height x .75" [19.05mm] deep

Weight: 4 oz [113 g]

Enclosure: Computer machined aluminum enclosure, plated with custom finish

Mounting: Surface mounted, friction-fit, spring clips included

User Interface

Buttons: Backlit via dual-color LEDs, color indicates status
Options include amber/green or red/green LEDs
Custom-engraved keycaps

Connections

Control/Power: DB-9 male connector, installed on 10" cable

Power: 5 VDC (4.85V - 5.15V), FT1-23 mA, FT1-45 mA, FT1-70 mA

Switch Output: 1-3 switch closures, 330 ohms to ground when closed

Switch Input: 1-3 closure inputs for LED feedback, 3.3K ohm pull-up to +5VDC supply

Wiring: Pin 1 Chassis GND is connected to the metal bezel and should be tied to earth or airframe GND, or left unconnected.

Pin 1: Chassis GND
Pin 2: Switch 1 output
Pin 3: Switch 1 input for LED Feedback
Pin 4: Switch 2 output
Pin 5: GND
Pin 6: PWR (+5 VDC)
Pin 7: Switch 2 input for LED Feedback
Pin 8: Switch 3 output
Pin 9: Switch 3 input for LED Feedback